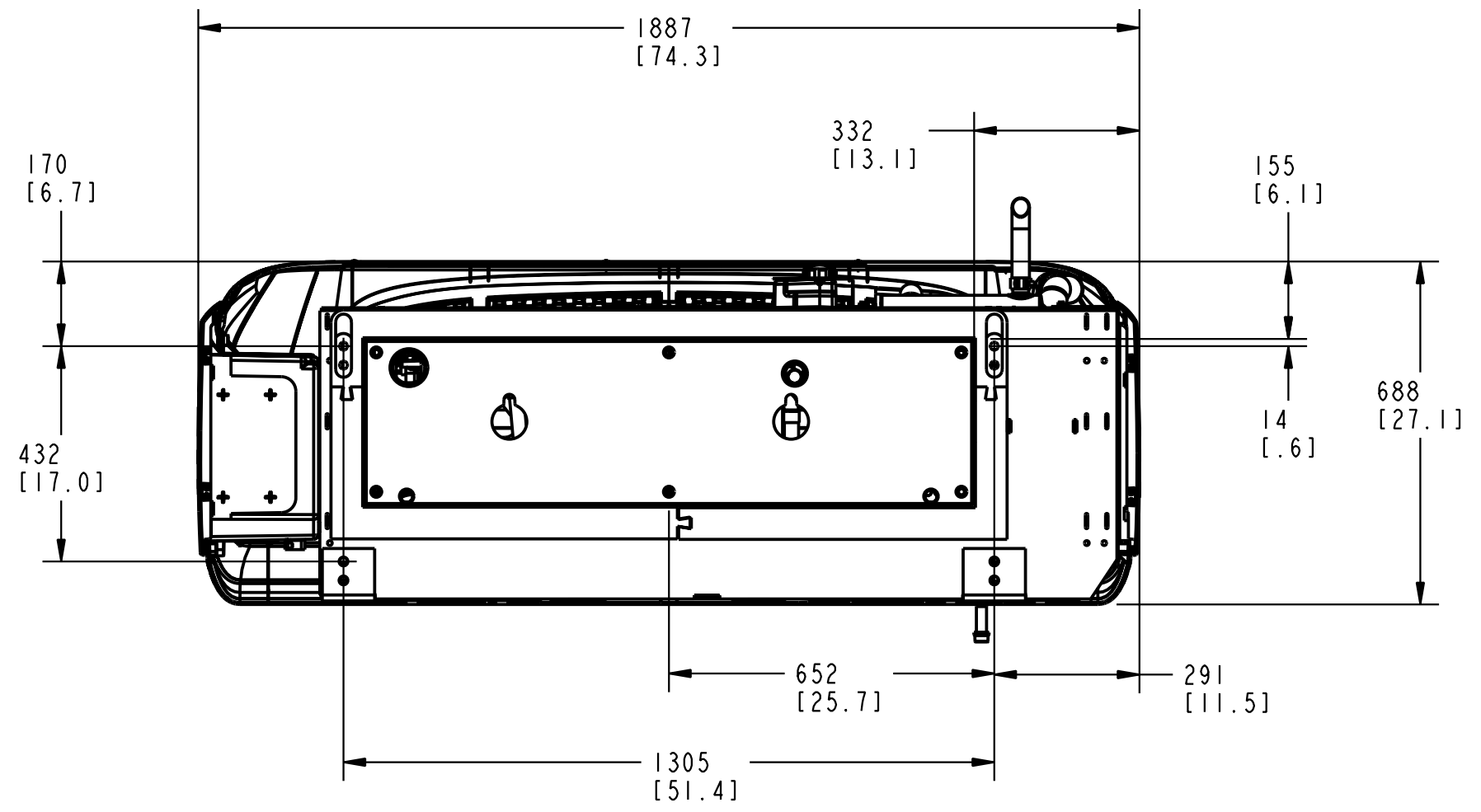
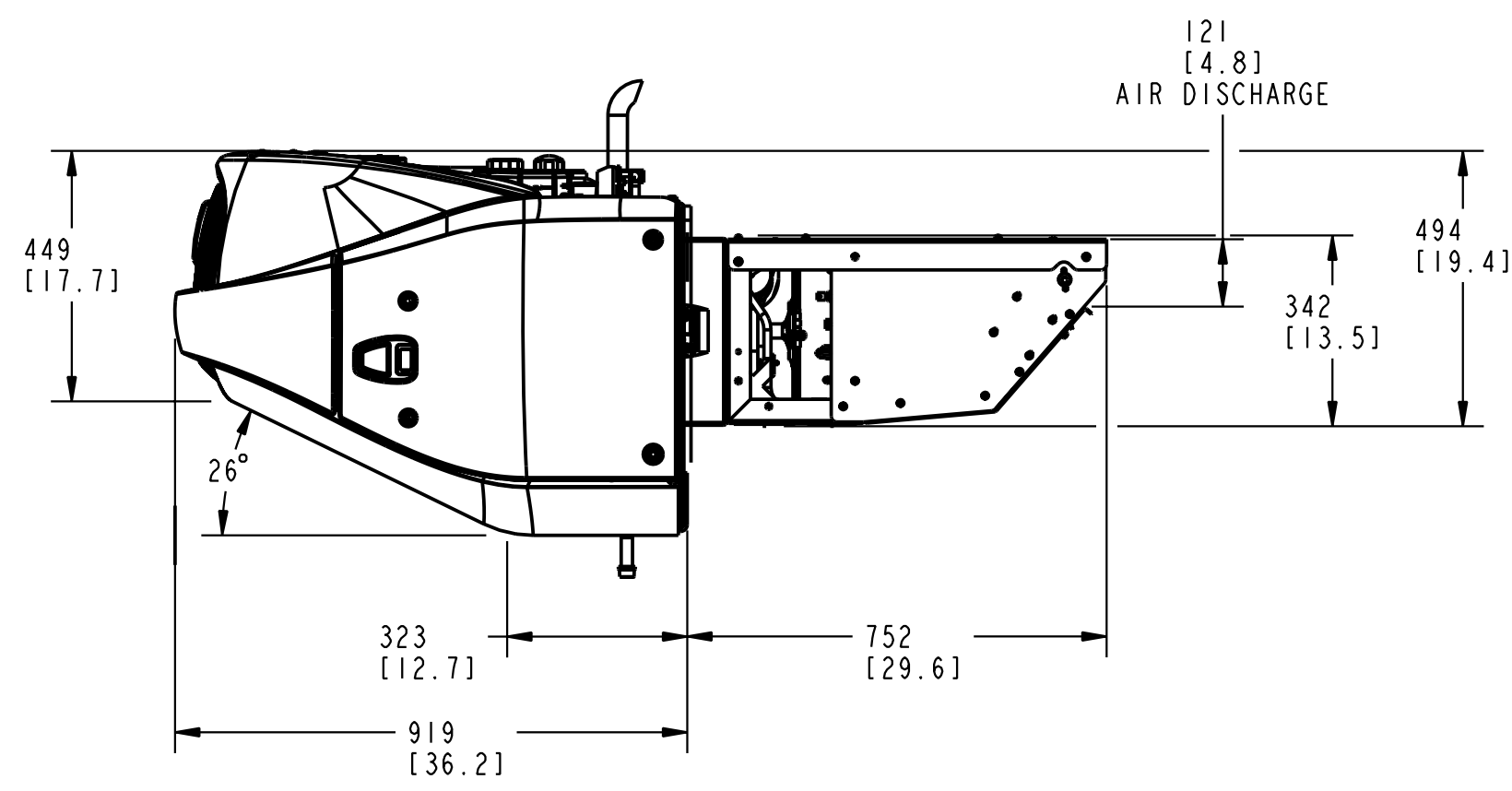
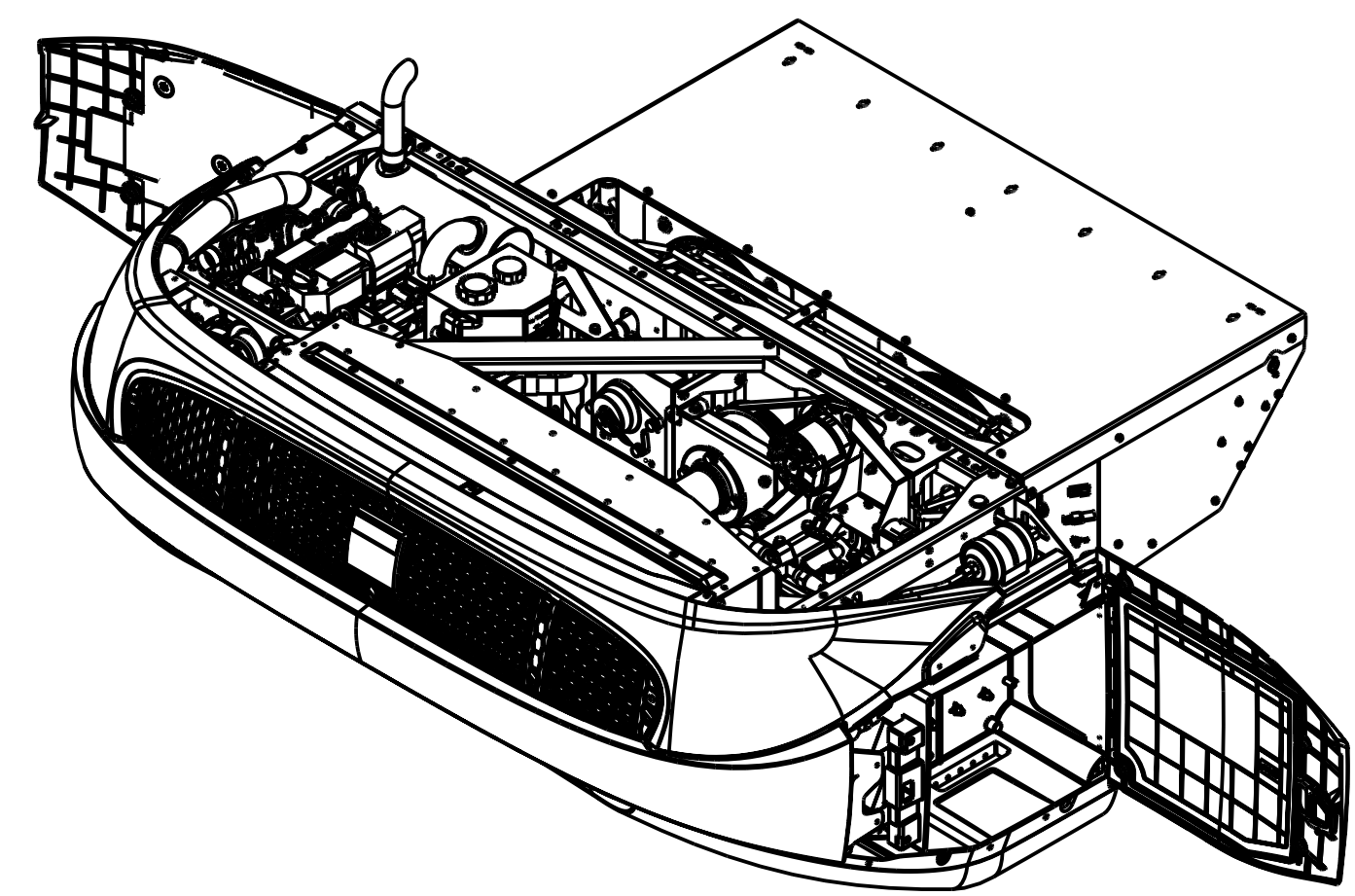
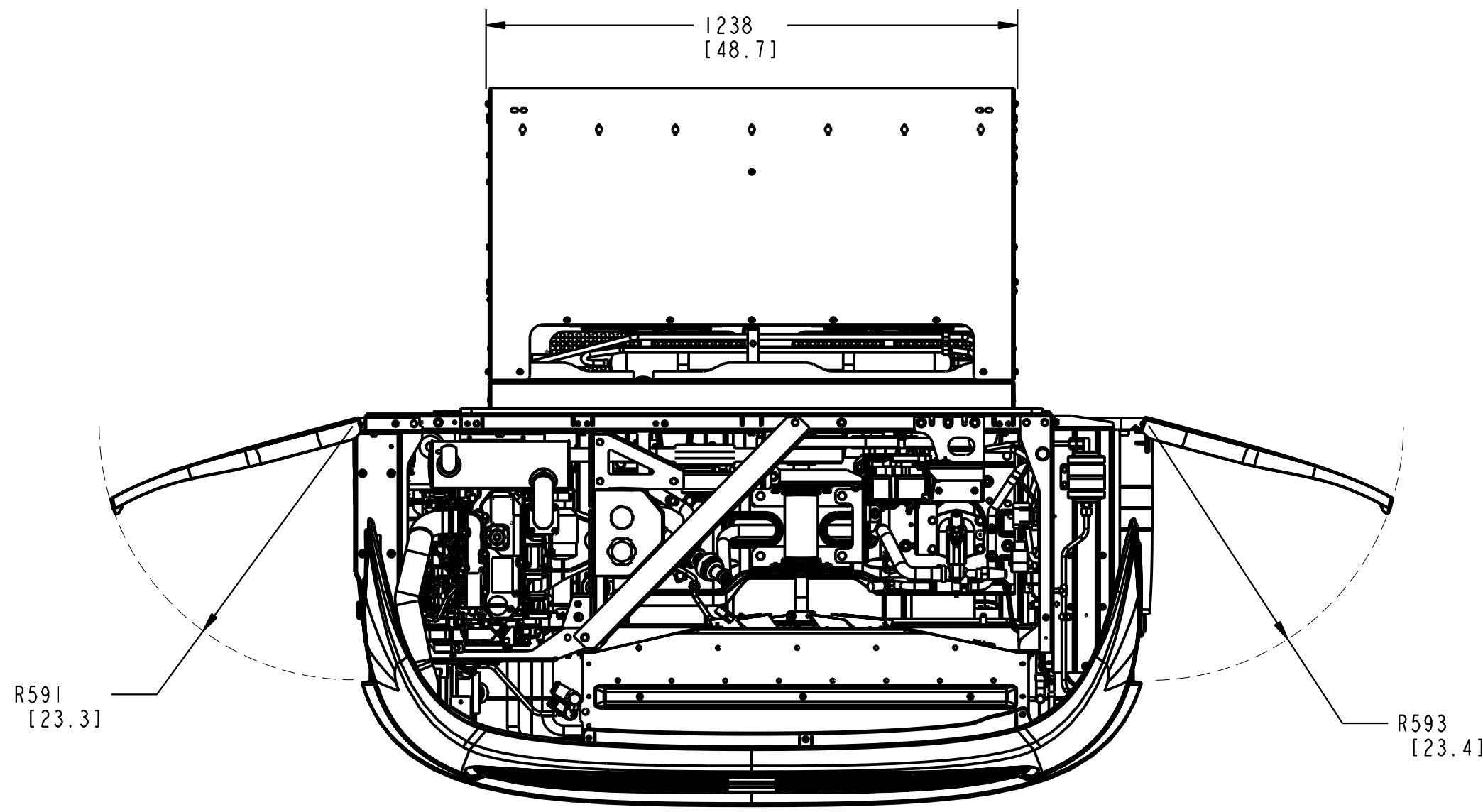


REVISIONS				
CHANGE ORDER	REV	DESCRIPTION	DATE	APPROVED
539147	B	ADDED VIEWS	3-Feb-10	JDC



<p>THERMO KING PROPRIETARY DATA</p> <p>THIS DOCUMENT CONTAINS PROPRIETARY INFORMATION OF THE THERMO KING CORPORATION. IT IS TRANSMITTED TO YOU IN CONFIDENCE AND TRUST, AND IS TO BE RETURNED UPON REQUEST. ITS CONTENTS MAY NOT BE DISCLOSED IN WHOLE OR IN PART TO OTHERS OR USED FOR OTHER THAN THE PURPOSE FOR WHICH TRANSMITTED WITHOUT THE PRIOR WRITTEN PERMISSION OF THERMO KING CORPORATION</p> <p>THERMO KING CORPORATION</p>	<p>UNLESS OTHERWISE SPECIFIED DIMENSIONS ARE IN MM. INTERPRET DIM AND TOL PER ASME Y14.5M - 1994</p>	<p>CAD GENERATED DRAWING. DO NOT MANUALLY UPDATE</p>			
		<p>UNLESS OTHERWISE SPECIFIED TOLERANCES ON DIMENSIONS PER TKS09109</p>			
		<p>THIRD ANGLE PROJECTION</p>	<p>DRAWN JDC</p> <p>CHECKED KL</p> <p>APPROVED -</p> <p>FINISH -</p>		<p>DATE 23-Feb-09</p> <p>18-MAR-09</p> <p>-</p> <p>-</p>
		<p>TITLE</p> <p>DIAGRAM OUTLINE</p> <p>T-1000 T-1200</p> <p>T-1000R T-1200R</p>			
<p>SCALE 0.080</p>		<p>SIZE A2</p>	<p>CODE IDENT NO</p> <p>DWG NO IE56624</p>	<p>REV B</p> <p>SHEET 1 OF 1</p>	